

Flat adjustable hand levers

Zinc die casting, Bushing /
Threaded bolt Stainless Steel

SPECIFICATION

Handle

Zinc die casting

plastic coated

black, RAL 9005, textured finish **SW**

orange, RAL 2004, textured finish **OS**

red, RAL 3000, textured finish **RS**

silver, RAL 9006, textured finish **SR**

Version with bushing

Bushing and retaining screw

Stainless Steel AISI 303

Version with threaded stud

Threaded stud and retaining screw

Stainless Steel AISI 303



INFORMATION

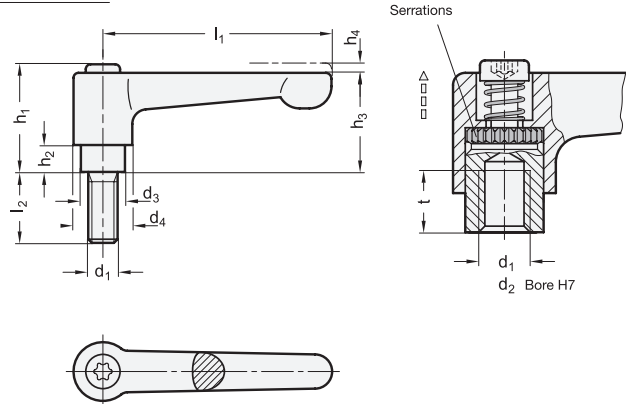
Adjustable hand levers GN 302.1 have a straight lever, not inclined, being parallel to the clamping space.

Adjustable hand levers are ideal whenever parts have to be clamped in a confined space or in a particular lever position. The centre insert is connected to the lever via serrations which can easily be disengaged.

Pulling the lever, disengages the serrations and allowing it to be swivelled to the ideal clamping position. On releasing the lever the serrations automatically re-engage.

TECHNICAL INFORMATION

- ISO-Fundamental tolerances (see page A21)
- Stainless Steel characteristics (see page A26)



* Complete with colour index of the clamping lever body (SW, OS, RS or SR)

SW RAL9005	OS RAL2004	RS RAL3000	SR RAL9006
----------------------	----------------------	----------------------	----------------------

GN 302.1-with bushing

Description	l1	d1	d2 H7	d3	d4	h1	h2	h3	h4	t min.	
GN 302.1-22-M3-*	22	M 3	-	8	10.5	18.5	2	16.5	3	5	14
GN 302.1-22-M4-*	22	M 4	-	8	10.5	18.5	2	16.5	3	5	13
GN 302.1-22-M5-*	22	M 5	-	8	10.5	18.5	2	16.5	3	5	12
GN 302.1-30-B5-*	30	-	B 5	10	13	24.5	4	22	3.5	9	20
GN 302.1-30-B6-*	30	-	B 6	10	13	24.5	4	22	3.5	9	16
GN 302.1-30-M4-*	30	M 4	-	10	13	24.5	4	22	3.5	9	26
GN 302.1-30-M5-*	30	M 5	-	10	13	24.5	4	22	3.5	9	24
GN 302.1-30-M6-*	30	M 6	-	10	13	24.5	4	22	3.5	9	23
GN 302.1-45-B5-*	45	-	B 5	10	13	24.5	4	22	3.5	9	27
GN 302.1-45-B6-*	45	-	B 6	10	13	24.5	4	22	3.5	9	26

GN 302.1-with bushing

Description	l1	d1	d2 H7	d3	d4	h1	h2	h3	h4	t min.	
GN 302.1-45-M4-*	45	M 4	-	10	13	24.5	4	22	3.5	9	33
GN 302.1-45-M5-*	45	M 5	-	10	13	24.5	4	22	3.5	9	31
GN 302.1-45-M6-*	45	M 6	-	10	13	24.5	4	22	3.5	9	30
GN 302.1-63-B8-*	63	-	B 8	13.5	17.5	31	6.5	28.5	4	11	71
GN 302.1-63-M6-*	63	M 6	-	13.5	17.5	31	6.5	28.5	4	11	74
GN 302.1-63-M8-*	63	M 8	-	13.5	17.5	31	6.5	28.5	4	11	59
GN 302.1-78-B8-*	78	-	B 8	16	21	36	8	34	4	14	123
GN 302.1-78-B10-*	78	-	B 10	16	21	36	8	34	4	14	121
GN 302.1-78-M8-*	78	M 8	-	16	21	36	8	34	4	14	125
GN 302.1-78-M10-*	78	M 10	-	16	21	36	8	34	4	14	123
GN 302.1-78-M12-*	78	M 12	-	16	21	36	8	34	4	14	121



3
Clamping levers

* Complete with colour index of the clamping lever body (SW, OS, RS or SR)



GN 302.1-with threaded stud

Description	l1	d1	l2	d3	d4	h1	h2	h3	h4	△
GN 302.1-22-M3-6-*	22	M 3	6	8	10.5	18.5	2	16.5	3	15
GN 302.1-22-M3-8-*	22	M 3	8	8	10.5	18.5	2	16.5	3	16
GN 302.1-22-M3-10-*	22	M 3	10	8	10.5	18.5	2	16.5	3	17
GN 302.1-22-M3-12-*	22	M 3	12	8	10.5	18.5	2	16.5	3	18
GN 302.1-22-M3-16-*	22	M 3	16	8	10.5	18.5	2	16.5	3	19
GN 302.1-22-M4-12-*	22	M 4	12	8	10.5	18.5	2	16.5	3	15
GN 302.1-22-M4-16-*	22	M 4	16	8	10.5	18.5	2	16.5	3	16
GN 302.1-22-M4-20-*	22	M 4	20	8	10.5	18.5	2	16.5	3	17
GN 302.1-22-M4-25-*	22	M 4	25	8	10.5	18.5	2	16.5	3	18
GN 302.1-22-M4-32-*	22	M 4	32	8	10.5	18.5	2	16.5	3	19
GN 302.1-22-M5-12-*	22	M 5	12	8	10.5	18.5	2	16.5	3	20
GN 302.1-22-M5-16-*	22	M 5	16	8	10.5	18.5	2	16.5	3	21
GN 302.1-22-M5-20-*	22	M 5	20	8	10.5	18.5	2	16.5	3	22
GN 302.1-22-M5-25-*	22	M 5	25	8	10.5	18.5	2	16.5	3	23
GN 302.1-22-M5-32-*	22	M 5	32	8	10.5	18.5	2	16.5	3	25
GN 302.1-30-M4-12-*	30	M 4	12	10	13	24.5	4	22	3.5	27
GN 302.1-30-M4-16-*	30	M 4	16	10	13	24.5	4	22	3.5	28
GN 302.1-30-M4-20-*	30	M 4	20	10	13	24.5	4	22	3.5	30
GN 302.1-30-M4-25-*	30	M 4	25	10	13	24.5	4	22	3.5	31
GN 302.1-30-M4-32-*	30	M 4	32	10	13	24.5	4	22	3.5	32
GN 302.1-30-M5-12-*	30	M 5	12	10	13	24.5	4	22	3.5	27
GN 302.1-30-M5-16-*	30	M 5	16	10	13	24.5	4	22	3.5	28
GN 302.1-30-M5-20-*	30	M 5	20	10	13	24.5	4	22	3.5	29
GN 302.1-30-M5-25-*	30	M 5	25	10	13	24.5	4	22	3.5	30
GN 302.1-30-M5-32-*	30	M 5	32	10	13	24.5	4	22	3.5	31
GN 302.1-30-M5-40-*	30	M 5	40	10	13	24.5	4	22	3.5	32
GN 302.1-30-M5-50-*	30	M 5	50	10	13	24.5	4	22	3.5	33
GN 302.1-30-M6-12-*	30	M 6	12	10	13	24.5	4	22	3.5	28
GN 302.1-30-M6-16-*	30	M 6	16	10	13	24.5	4	22	3.5	29
GN 302.1-30-M6-20-*	30	M 6	20	10	13	24.5	4	22	3.5	30
GN 302.1-30-M6-25-*	30	M 6	25	10	13	24.5	4	22	3.5	31
GN 302.1-30-M6-32-*	30	M 6	32	10	13	24.5	4	22	3.5	33
GN 302.1-30-M6-40-*	30	M 6	40	10	13	24.5	4	22	3.5	34
GN 302.1-30-M6-50-*	30	M 6	50	10	13	24.5	4	22	3.5	35
GN 302.1-45-M4-12-*	45	M 4	12	10	13	24.5	4	22	3.5	34
GN 302.1-45-M4-16-*	45	M 4	16	10	13	24.5	4	22	3.5	35
GN 302.1-45-M4-20-*	45	M 4	20	10	13	24.5	4	22	3.5	36
GN 302.1-45-M4-25-*	45	M 4	25	10	13	24.5	4	22	3.5	37
GN 302.1-45-M4-32-*	45	M 4	32	10	13	24.5	4	22	3.5	38
GN 302.1-45-M5-12-*	45	M 5	12	10	13	24.5	4	22	3.5	34
GN 302.1-45-M5-16-*	45	M 5	16	10	13	24.5	4	22	3.5	35
GN 302.1-45-M5-20-*	45	M 5	20	10	13	24.5	4	22	3.5	36
GN 302.1-45-M5-25-*	45	M 5	25	10	13	24.5	4	22	3.5	37
GN 302.1-45-M5-32-*	45	M 5	32	10	13	24.5	4	22	3.5	38
GN 302.1-45-M5-40-*	45	M 5	40	10	13	24.5	4	22	3.5	40

GN 302.1-with threaded stud

Description	l1	d1	l2	d3	d4	h1	h2	h3	h4	△
GN 302.1-45-M5-50-*	45	M 5	50	10	13	24.5	4	22	3.5	41
GN 302.1-45-M6-12-*	45	M 6	12	10	13	24.5	4	22	3.5	35
GN 302.1-45-M6-16-*	45	M 6	16	10	13	24.5	4	22	3.5	36
GN 302.1-45-M6-20-*	45	M 6	20	10	13	24.5	4	22	3.5	37
GN 302.1-45-M6-25-*	45	M 6	25	10	13	24.5	4	22	3.5	38
GN 302.1-45-M6-32-*	45	M 6	32	10	13	24.5	4	22	3.5	39
GN 302.1-45-M6-40-*	45	M 6	40	10	13	24.5	4	22	3.5	40
GN 302.1-45-M6-50-*	45	M 6	50	10	13	24.5	4	22	3.5	41
GN 302.1-63-M6-16-*	63	M 6	16	13.5	17.5	31	6.5	28.5	4	78
GN 302.1-63-M6-20-*	63	M 6	20	13.5	17.5	31	6.5	28.5	4	79
GN 302.1-63-M6-25-*	63	M 6	25	13.5	17.5	31	6.5	28.5	4	80
GN 302.1-63-M6-32-*	63	M 6	32	13.5	17.5	31	6.5	28.5	4	81
GN 302.1-63-M6-40-*	63	M 6	40	13.5	17.5	31	6.5	28.5	4	83
GN 302.1-63-M6-50-*	63	M 6	50	13.5	17.5	31	6.5	28.5	4	84
GN 302.1-63-M8-16-*	63	M 8	16	13.5	17.5	31	6.5	28.5	4	81
GN 302.1-63-M8-20-*	63	M 8	20	13.5	17.5	31	6.5	28.5	4	82
GN 302.1-63-M8-25-*	63	M 8	25	13.5	17.5	31	6.5	28.5	4	84
GN 302.1-63-M8-32-*	63	M 8	32	13.5	17.5	31	6.5	28.5	4	86
GN 302.1-63-M8-40-*	63	M 8	40	13.5	17.5	31	6.5	28.5	4	88
GN 302.1-63-M8-50-*	63	M 8	50	13.5	17.5	31	6.5	28.5	4	92
GN 302.1-63-M8-63-*	63	M 8	63	13.5	17.5	31	6.5	28.5	4	96
GN 302.1-78-M8-20-*	78	M 8	20	16	21	36	8	34	4	136
GN 302.1-78-M8-25-*	78	M 8	25	16	21	36	8	34	4	138
GN 302.1-78-M8-32-*	78	M 8	32	16	21	36	8	34	4	140
GN 302.1-78-M8-40-*	78	M 8	40	16	21	36	8	34	4	143
GN 302.1-78-M8-50-*	78	M 8	50	16	21	36	8	34	4	146
GN 302.1-78-M8-63-*	78	M 8	63	16	21	36	8	34	4	149
GN 302.1-78-M8-80-*	78	M 8	80	16	21	36	8	34	4	155
GN 302.1-78-M10-20-*	78	M 10	20	16	21	36	8	34	4	140
GN 302.1-78-M10-25-*	78	M 10	25	16	21	36	8	34	4	142
GN 302.1-78-M10-32-*	78	M 10	32	16	21	36	8	34	4	145
GN 302.1-78-M10-40-*	78	M 10	40	16	21	36	8	34	4	150
GN 302.1-78-M10-50-*	78	M 10	50	16	21	36	8	34	4	155
GN 302.1-78-M10-63-*	78	M 10	63	16	21	36	8	34	4	162
GN 302.1-78-M10-80-*	78	M 10	80	16	21	36	8	34	4	169
GN 302.1-78-M12-20-*	78	M 12	20	16	21	36	8	34	4	144
GN 302.1-78-M12-25-*	78	M 12	25	16	21	36	8	34	4	148
GN 302.1-78-M12-32-*	78	M 12	32	16	21	36	8	34	4	153
GN 302.1-78-M12-40-*	78	M 12	40	16	21	36	8	34	4	159
GN 302.1-78-M12-50-*	78	M 12	50	16	21	36	8	34	4	167
GN 302.1-78-M12-63-*	78	M 12	63	16	21	36	8	34	4	175
GN 302.1-78-M12-80-*	78	M 12	80	16	21	36	8	34	4	187